

LONGI

Horizon

LR7-72HVH

620~655M

- Suitable for Distribution Market
- Peak efficiency with top power generation performance
- TaiRay wafer & BC technology enhances high product reliability
- Smart manufacturing & LONGi product lifecycle standards deliver exceptional product quality



12-year Warranty for
Materials and Processing



25-year Warranty for Extra
Linear Power Output

Complete System and Product Certifications

IEC 61215, IEC 61730, UL 61730

ISO9001:2015: ISO Quality Management System

ISO14001: 2015: ISO Environment Management System

ISO45001: 2018: Occupational Health and Safety

IEC62941: Guideline for module design qualification and type approval

LONGI



24.2%
MAX MODULE
EFFICIENCY

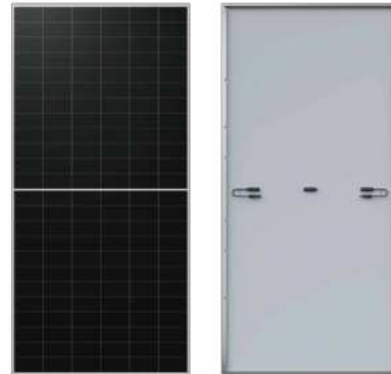
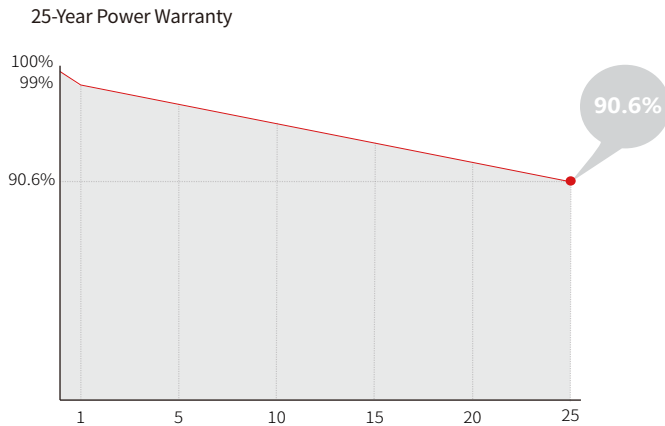
0~3%
POWER
TOLERANCE

<1%
FIRST YEAR
POWER DEGRADATION

0.35%
YEAR 2-30
POWER DEGRADATION

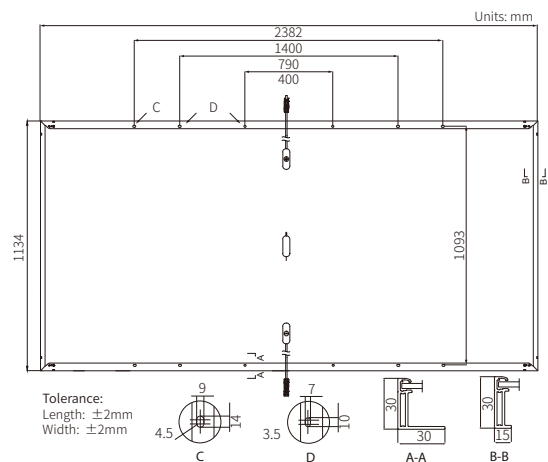
BC-CELL
LOWER OPERATING
TEMPERATURE

Additional Value



Mechanical Parameters

Cell Orientation	144 (6×24)
Junction Box	IP68, three diodes
Output Cable	4mm ² , +400, -200mm/±1400mm length can be customized
Glass	Single glass, 2.8mm coated tempered glass
Frame	Anodized aluminum alloy frame
Weight	25.8kg
Dimension	2382×1134×30mm
Packaging	36pcs per pallet / 144pcs per 20' GP / 720pcs per 40' HC



Electrical Characteristics

STC: AM1.5 1000W/m² 25°C NOCT: AM1.5 800W/m² 20°C 1m/s Test uncertainty for Pmax: ±3%

Module Type	LR7-72HVH-620M		LR7-72HVH-625M		LR7-72HVH-630M		LR7-72HVH-635M		LR7-72HVH-640M		LR7-72HVH-645M		LR7-72HVH-650M		LR7-72HVH-655M	
	STC	NOCT	STC	NOCT	STC	NOCT	STC	NOCT	STC	NOCT	STC	NOCT	STC	NOCT	STC	NOCT
Maximum Power (Pmax/W)	620	472	625	476	630	480	635	483	640	487	645	491	650	495	655	499
Open Circuit Voltage (Voc/V)	53.30	50.65	53.40	50.75	53.50	50.84	53.60	50.94	53.70	51.04	53.80	51.13	53.90	51.23	54.00	51.32
Short Circuit Current (Isc/A)	14.81	11.90	14.89	11.96	14.97	12.02	15.05	12.09	15.13	12.15	15.21	12.22	15.29	12.28	15.37	12.34
Voltage at Maximum Power (Vmp/V)	43.96	41.77	44.06	41.87	44.16	41.96	44.26	42.06	44.36	42.15	44.46	42.25	44.56	42.35	44.66	42.44
Current at Maximum Power (Imp/A)	14.11	11.31	14.19	11.37	14.27	11.44	14.35	11.50	14.43	11.56	14.51	11.63	14.59	11.69	14.67	11.76
Module Efficiency(%)	23.0		23.1		23.3		23.5		23.7		23.9		24.1		24.2	

Operating Parameters

Operational Temperature	-40°C ~ +85°C
Power Output Tolerance	0 ~ 3%
Maximum System Voltage	DC1500V (IEC)
Maximum Series Fuse Rating	25A
Nominal Operating Cell Temperature	45±2°C
Protection Class	Class II
Fire Rating	IEC Class C

Mechanical Loading

Front Side Maximum Static Loading	5400Pa
Rear Side Maximum Static Loading	2400Pa
Hailstone Test	25mm Hailstone at the speed of 23m/s

Temperature Ratings (STC)

Temperature Coefficient of Isc	+0.050%/°C
Temperature Coefficient of Voc	-0.200%/°C
Temperature Coefficient of Pmax	-0.260%/°C